

# Swagelok® Seal Plan Components

## Reduced Leak Points

Innovative use of components reduces threaded connections where costly leaks can occur.



Extended Male Connector

Orifice Union

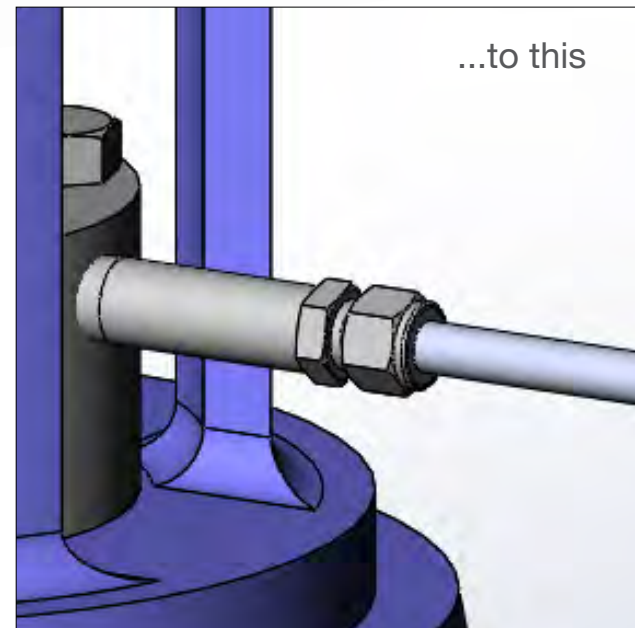
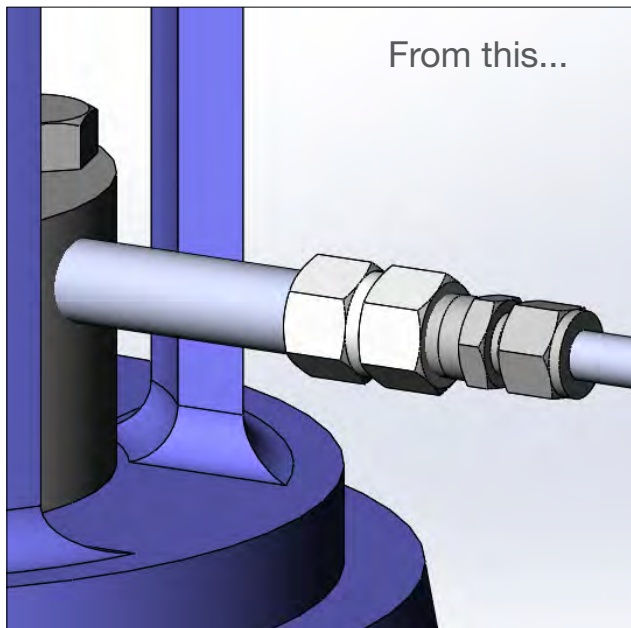
Thermowell Tee

Integral Orifice  
Flange Adaptor

# Reduced Leak Points

## Extended Male Connector

- | Single fitting eliminates multiple connections and extends tubing connection beyond pump shroud
- | Larger body allows firm grip for ease of installation and access
- | Machined shank allows better access for close-clearance pump housing



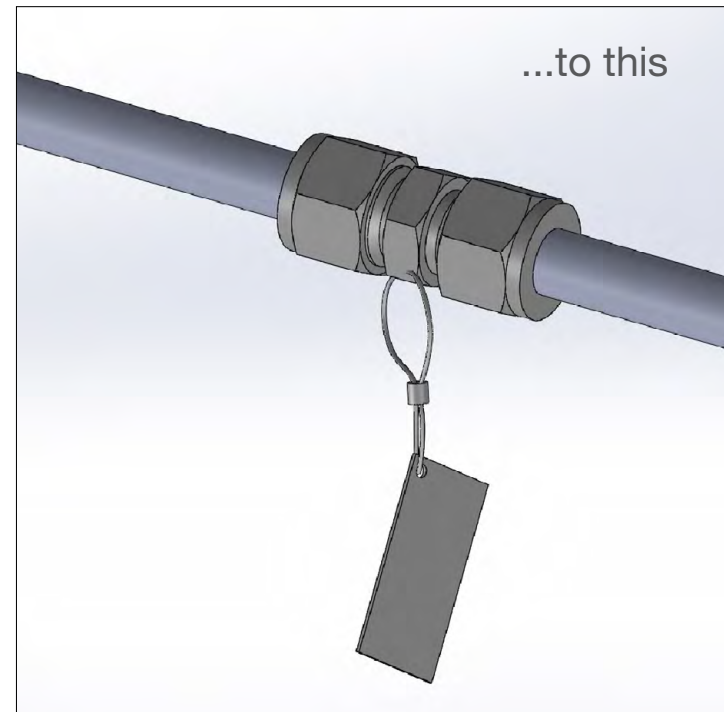
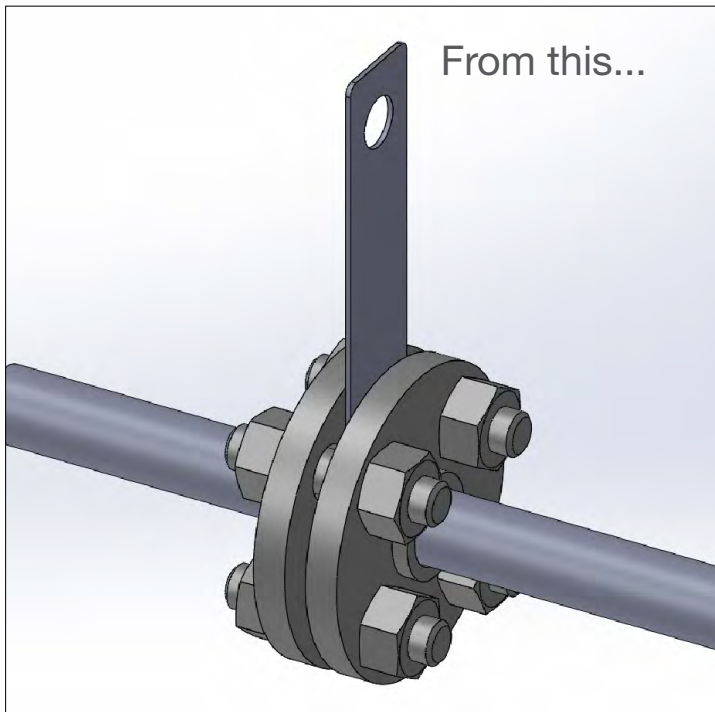
Save Money. Reduce Labor. Improve Safety.



# Reduced Leak Points

## Orifice Union

- | Can be easily installed in tubing flush systems
- | Eliminates the need for welding flanges
- | Allows easy identification with attached tag, reducing installation errors



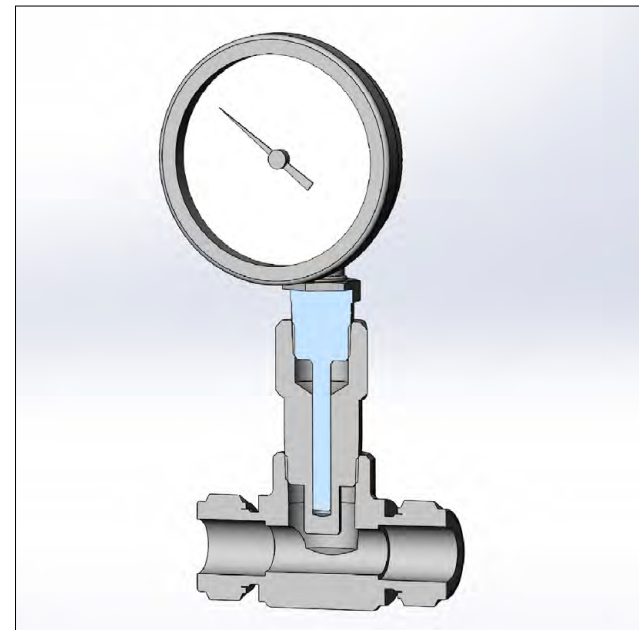
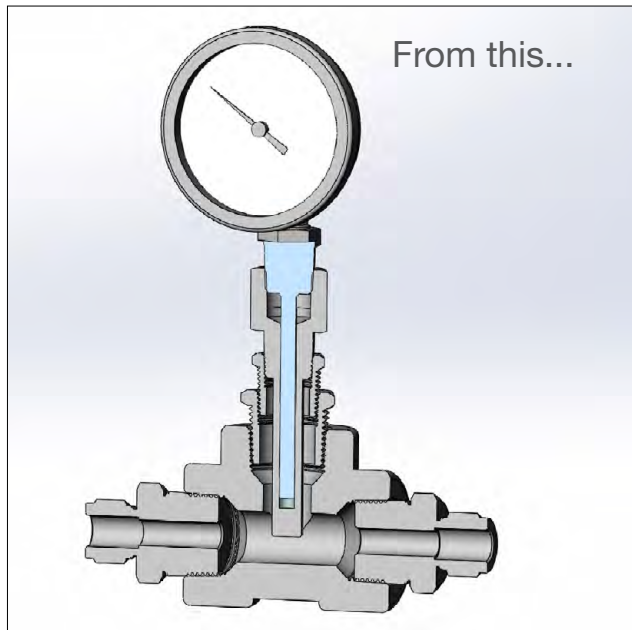
Save Money. Reduce Labor. Improve Safety.



# Reduced Leak Points

## Thermowell Tee

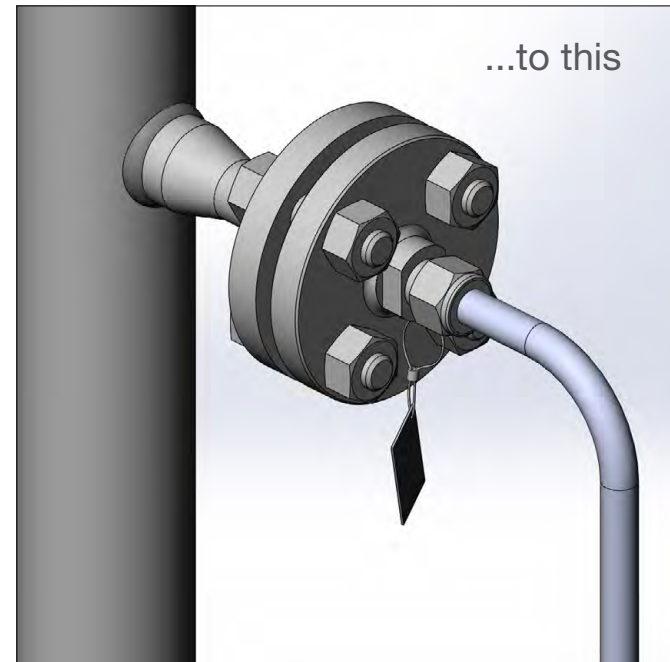
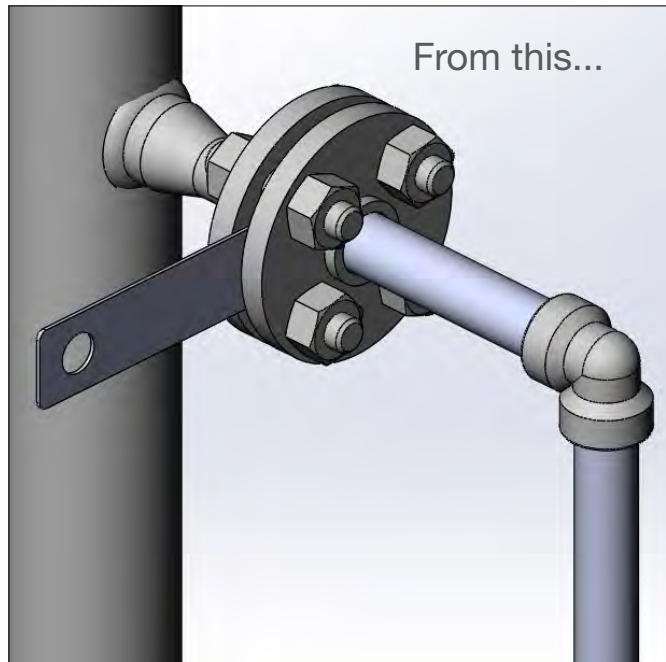
- | Welded thermowell eliminates multiple threaded pipe fittings, isolating process fluid for safer thermometer replacement
- | Lighter weight eliminates need for additional support
- | Accurate temperature measurement without blocking flow



# Reduced Leak Points

## Thermowell Tee

- | Welded thermowell eliminates multiple threaded pipe fittings, isolating process fluid for safer thermometer replacement
- | Lighter weight eliminates need for additional support
- | Accurate temperature measurement without blocking flow



Save Money. Reduce Labor. Improve Safety.

