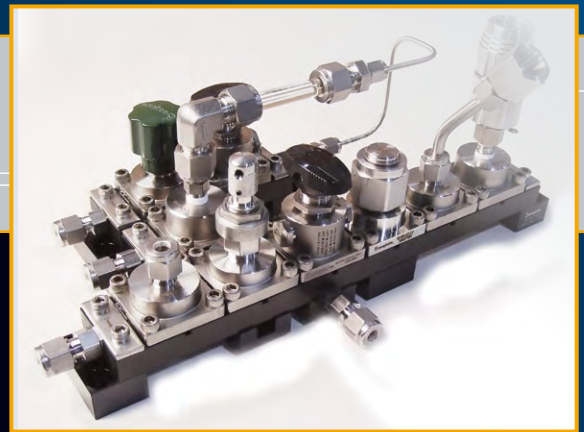
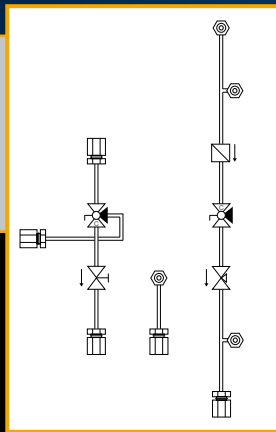
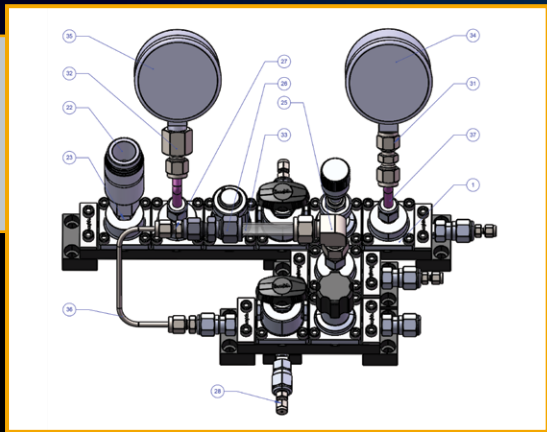


Swagelok

Miniature Lab Sampler

Swagelok Southwestern Ontario



Get a sample from the cylinder to the analyzer in a safe, consistent, controlled manner.

- Small footprint allows placement of the system on or near the analyzer reducing the use of critical bench space.
- Controls for consistent gas injection volumes, flow verification, and complete purging with vacuum or purge gas.
- The system is fully customizable to lab requirements and preferences, and delivered with 1 encompassing part number.

The modular **MPC SUBSTRATE** includes: filtering, switching between gas and liquid samples, metering gas samples, and venting.

Added **SURFACE COMPONENTS** include: quick connect, compound gauges, and a sight glass for liquid samples.

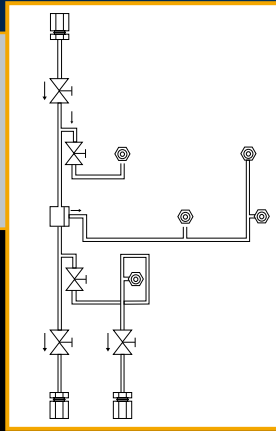
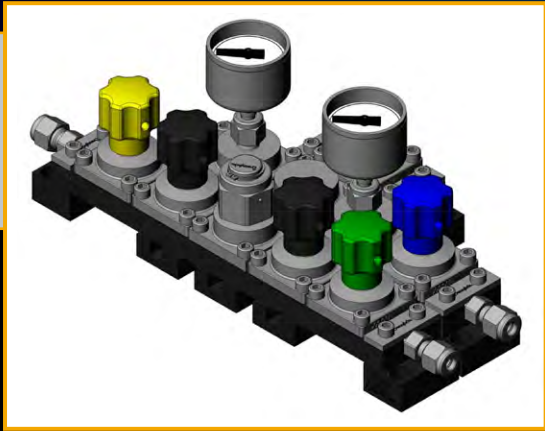


ENGINEERED TO PERFORM UNDER PRESSURE

Swagelok

Miniature Lab Prep Station

Swagelok Southwestern Ontario



Safely confirm cylinder pressures and valve integrity then relieve overpressure or bump under pressured samples.

- Small footprint allows placement of the system in a fume hood or near the analyzer reducing the use of critical bench space.
- Controls to test cylinder valve integrity, cylinder pressure level, and quickly evacuate residual sample.
- The system is fully customizable to lab requirements and preferences, and delivered with 1 encompassing part number.

The modular **MPC SUBSTRATE** includes: filtering, venting, carrier (bump) gas connection and vacuum option.

Added **SURFACE COMPONENTS** include: quick connect, compound gauges and relief options.



ENGINEERED TO PERFORM UNDER PRESSURE